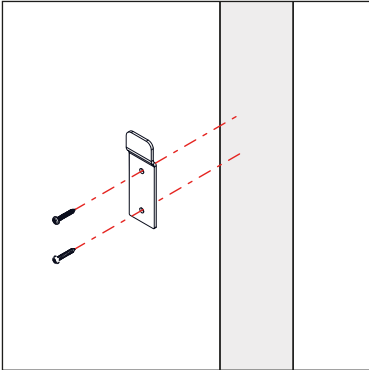
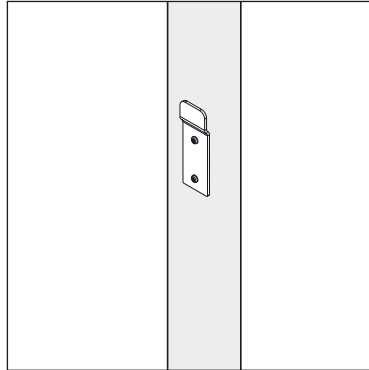


1



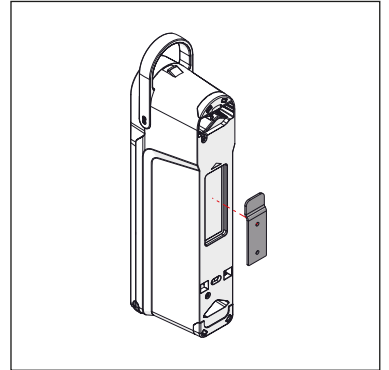
1. Identify location on leg
2. Mark pilot holes with pen
3. Drill holes in leg

2



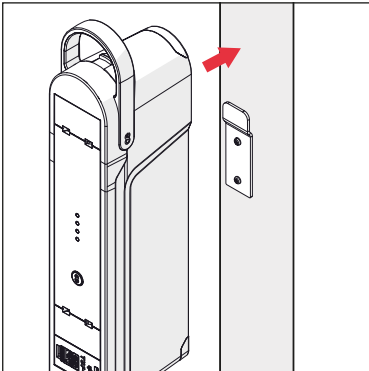
Screw Q-clip in place

3



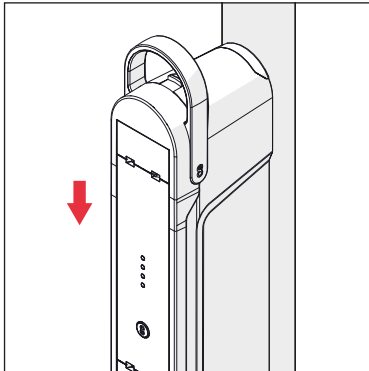
Align Q-clip with recess in the Qikpac

3



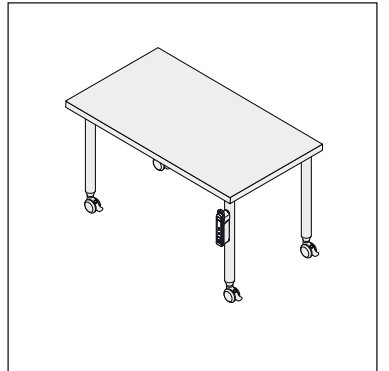
Slot over the Q-clip

5



Slide down

6



Your battery powered Kite table is ready to go